

*New Jersey Semi-Conductor Products, Inc.*

20 STERN AVE.  
 SPRINGFIELD, NEW JERSEY 07081  
 U.S.A.

TELEPHONE: (973) 376-2922  
 (212) 227-6005  
 FAX: (973) 376-8960

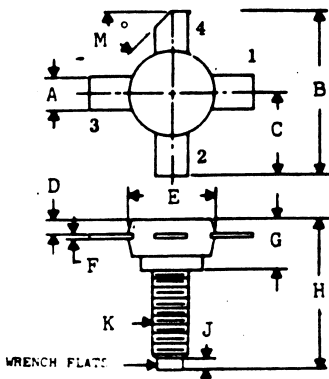
PARAMETERS

2N5637

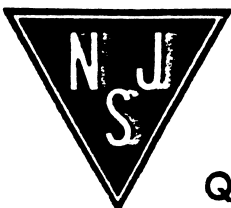
BIPOLAR NPN UHF/MICROWAVE TRANSISTOR

Description: Bipolar NPN UHF/Microwave Transistor

- Manufacturer.....
- Mil/High-Rel? (Y/N).....
- PD Max. (W)..... 30
- Vbr CBO..... 60
- Coll. (or drain) Current Max.. 3.0
- f(osc) Max. (Hz)..... 400M
- Oper. Gain Typ (S21).....
- Oper. Pwr Out Typ.....
- Noise Fig.....
- @Freq. (test).....
- @VCE (test)..... 28t
- @Ic (A)..... 1.2
- S11 Mag Typ.....
- S11 Deg. (Typ).....
- S22 Mag Typ.....
- S22 Deg. Typ.....
- @Freq. (test).....
- @Ic (A).....
- @VDS (VCE) (test) (V).....
- Mat..... Silicon
- Oper. Temp (xC) Max..... 200 ~
- Pkg Style..... StX-8
- Surface Mounted (Y/N)..... N
- Pinout Equivalence Number..... 4-28



	A	B	C	D	E	F	G	H	J	K
T72	.220 .230	1.055 1.085	.520 .540	.065 .085	.465 .485	.003 .008	.240 .260	.710 .730	.120 .130	8-32N.C.2A
T72a	.225	1.09 MIN			.390 MAX	.008 .010	.195	.640	.115	8-32UNC24THD
T72b	.120 .125		.358 .378		.220 .240	.008	.200	.305 MAX	.145	6-32
T72c	.148	.984 1.142	.571	.102	.375 MAX	.005 MAX	.226	.687	.134	8-32UNC
T72d	.223 MAX			.048 TYP	.355 .375	.008 TYP	.155 .165	.595 .635	.130	8-32UNC-2A
T72e	.225 MAX			.104 TYP	.490 .510	.006 TYP	.260 .280	.700 .750	.120	8-32UNC-2A
T72f	.078	.866			.275	.003	.242	.774	.118	JSOM3
T72g	.220 .230	1.095 MIN			.365 .385	.004 .008	.205 .225	.630 .750		8-32UNC24THD
T72h	.220 .230	1.055 1.085	.520 .540	.080 .100	.365 .385	.004 .007	.245 .275	.710 .750	.100 .130	8-32NC3A
T72j	.031			.082	.393	.157		.484		8-32UNC-2A
T72k	.138 .154	1.00 1.04		.113	.370 .378	.005	.207 .227	.624 .684		10-32UNF
T72m	.148	.984 MIN		.108	.382 MAX	.005	.226 MAX	.667 MAX	.141	8-32UNC
T72n	.221 .229	1.04 1.05		.085 .095	.370 .390	.004 .006	.250 .275		.100 .130	8-32UNC-2A
T72p	.220 .230				.565 .585	.005 NOM			.100 .130	
T72q	.220 .230	1.055 1.065	.520 .530	.073 .077	.365 .385	.005	.245 .275	.710 .750	.100 .130	8-32UNC-2A
T72r	.220 .230	1.055 1.065	.520 .530	.080 .100	.490 .510	.005	.245 .275	.835 .845	.110 .120	10-32NC-3A
T72s	.228	1.06		.104	.377	.005	.267	.748	.129	M4
T72t		1.055 1.065	.520 .530		.500		.250	.840		8-32NC-3A
T72u	.217 .233	1.11		.106 .126	.387	.004 .006	.284 MAX	.707 .738		10-32 UNF
T72v	.229	1.055	.530		.390		.275	.750	.130	8-32
T72w	.157	.708	.354	.074	.350	.003	.177	.728	.118	M4



Quality Semi-Conductors